

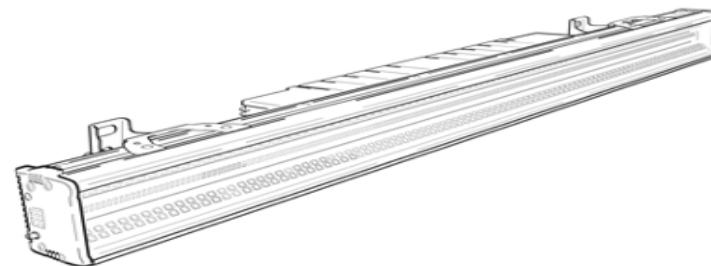
TROUBLE SHOOTING

The checklist below may help you troubleshoot in the unlikely event that a problem occurs while using the product:

SYMPTOM	POSSIBLE CAUSE	SUGGESTED ACTION
No response from unit.	No power to unit.	Check that power is turned on. Check cables and connections.
Unit resets correctly but does not respond (or does not respond correctly) to the controller.	The controller is not connected.	Connect controller.
	Bad DMX-line.	Inspect connections and cables. Correct poor connections. Repair or replace damaged cables.
	Incorrect unit addressing.	Check unit address and DMX mode settings.
	A unit is defective and is disturbing data transmission on the DMX-line.	Unplug DMX IN and OUT connectors and connect them directly together to bypass one unit at a time until normal operation is regained. Have defective unit serviced by an authorized technician.



FLOW FROST 480



USER MANUAL

Carefully reading it before using light

Content

- 1. Safety instruction.....
- 2. Technical specification.....
- 3. Control panel.....
- 4. How to set the unit.....
- 5. Fixture overview.....
- 6. DMX setting.....
- 7. Unit information.....
- 8. Maintenance.....
- 9. Factory reset.....
- 10. DMX chart.....

269CH mode

269C H	Function	Value	Description
1	Dimmer	000- 255 0%~ 100%	From dark to bright
2	Duration(White)	000- 255 0%~ 100%	From dark to bright
3	Frequency(white)	000- 255 0%~ 100%	From slow to fast
4	Flashing effect(W)	000- 255 0%~ 100%	Effect changing
5	Flashing(RGB)	000- 255 0%~ 100%	From slow to fast
6	Running effect(W)	000- 255 0%~ 100%	Effect changing
7	Speed(W)	000- 255 0%~ 100%	From slow to fast
8	Running effect(RGB)	000- 255 0%~ 100%	Effect changing
9	Speed(RGB)	000- 255 0%~ 100%	From slow to fast
10	RGB macro	000- 255 0%~ 100%	Color changing
11	Backlight(RGB fade)	000- 255 0%~ 100%	RGB auto run back light
12	Direction	000- 255 0%~ 100%	From R to L→From L to R
13	Frost	000-255	Frost Off/On
14	Red 1	000- 255 0%~ 100%	From dark to bright
15	Green 1	000- 255 0%~ 100%	From dark to bright
16	Blue 1	000- 255 0%~ 100%	From dark to bright
17	Red 2	000- 255 0%~ 100%	From dark to bright
18	Green 2	000- 255 0%~ 100%	From dark to bright
19	Blue 2	000- 255 0%~ 100%	From dark to bright
20	Red 3	000- 255 0%~ 100%	From dark to bright
21	Green 3	000- 255 0%~ 100%	From dark to bright
22	Blue 3	000- 255 0%~ 100%	From dark to bright
.....
203	Red 64	000- 255 0%~ 100%	From dark to bright
204	Green 64	000- 255 0%~ 100%	From dark to bright
205	Blue 64	000- 255 0%~ 100%	From dark to bright
206	White 1	000- 255 0%~ 100%	From dark to bright
.....
269	White 64	000- 255 0%~ 100%	From dark to bright

256CH mode

256C H	Function	Value	Description
1	Red 1	000- 255 0%~ 100%	From dark to bright
2	Green 1	000- 255 0%~ 100%	From dark to bright
3	Blue 1	000- 255 0%~ 100%	From dark to bright
4	Red 2	000- 255 0%~ 100%	From dark to bright
5	Green 2	000- 255 0%~ 100%	From dark to bright
6	Blue 2	000- 255 0%~ 100%	From dark to bright
7	Red 3	000- 255 0%~ 100%	From dark to bright
8	Green 3	000- 255 0%~ 100%	From dark to bright
9	Blue 3	000- 255 0%~ 100%	From dark to bright
10	Red 4	000- 255 0%~ 100%	From dark to bright
11	Green 4	000- 255 0%~ 100%	From dark to bright
12	Blue 4	000- 255 0%~ 100%	From dark to bright
13	Red 5	000- 255 0%~ 100%	From dark to bright
14	Green 5	000- 255 0%~ 100%	From dark to bright
15	Blue 5	000- 255 0%~ 100%	From dark to bright
.....	From dark to bright
190	Red 64	000- 255 0%~ 100%	From dark to bright
191	Green 64	000- 255 0%~ 100%	From dark to bright
192	Blue 64	000- 255 0%~ 100%	From dark to bright
193	White 1	000- 255 0%~ 100%	From dark to bright
194	White 2	000- 255 0%~ 100%	From dark to bright
195	White 3	000- 255 0%~ 100%	From dark to bright
196	White 4	000- 255 0%~ 100%	From dark to bright
197	White 5	000- 255 0%~ 100%	From dark to bright
198	White 6	000- 255 0%~ 100%	From dark to bright
.....	From dark to bright
255	White 63	000- 255 0%~ 100%	From dark to bright
256	White 64	000- 255 0%~ 100%	From dark to bright

1. Safety introduction



Please read the instruction carefully which includes important information about the installation, usage

Please keep this User Manual for future consultation. If you sell the unit to another user, be sure that they also receive this instruction booklet.

1. Unpack and check carefully there is no transportation damage before using the unit.
2. Before operating, ensure that the voltage and frequency of power supply match the power requirements of the unit.
3. It's important to ground the yellow/green conductor to earth in order to avoid electric shock.
4. The unit is for indoor use only. Use only in a dry location.
5. The unit must be installed in a location with adequate ventilation, at least 50cm from adjacent surfaces. Be sure that no ventilation slots are blocked.
6. Disconnect main power before replacement or servicing.
7. Make sure there are no flammable materials close to the unit while operating as it is fire hazard.
8. Use safety cables when fixing this unit. DO NOT handle the unit by its head only, always carry by its base.
9. Maximum ambient temperature is Ta: 40 degrees C. DO NOT operate it where the temperature is higher than this.
10. Unit surface temperature may reach up to 75 degrees C. DO NOT touch the housing with bare-hands during its operation. Turn off the power and allow about 15 minutes for the unit to cool down before replacing or serving.
11. In the event of a serious operating problem, stop using the unit immediately. Never try to repair the unit by yourself. Repairs carried out by unskilled people can lead to damage or malfunction.

12. Please contact the nearest authorized technical assistance center. Always use the same type spare parts.

13. DO NOT touch any wire during operation as high voltage may cause electric shock.

Warning:

1. To prevent or reduce the risk of electrical shock or fire, do not expose the unit to rain or moisture.

2. The housing and lenses must be replaced if they are visibly damaged.

Caution:

There are no user serviceable parts inside the unit. Do not open the housing or attempt any repairs yourself. In the unlikely event your unit may require service, please contact your nearest dealer.

Installation:

The fixture should be mounted via its Omega Quick Release Clamp bracket. Always ensure that the unit is firmly fixed to avoid vibration and slipping while operating and make sure that the structure to which you are attaching the unit is secure and is able to support a weight of 10 times of the fixtures weight. Always use a safety cable that can hold 12 times of the weight of the fixture when installing.

The equipment must be installed by professionals. It must be installed in a place where is out of the reach of people and no one can pass by or under it.

22CH mode

22CH	Function	Value	Description
1	Master dimmer	000- 255 0%~ 100%	Dimmer,0-100%
2	Dimmer RGB	000- 255 0%~ 100%	Dimmer for RGB
3	16 bit dimmer	000- 255 0%~ 100%	Fine dimmer
4	Yellow	000- 255 0%~ 100%	Yellow,0-100%
5	Red	000- 255 0%~ 100%	Red,0-100%
6	Green	000- 255 0%~ 100%	Green,0-100%
7	Blue	000- 255 0%~ 100%	Blue,0-100%
8	Flash(RGB)	000- 255 0%~ 100%	Flash(RGB)
9	Special effect(RGB)	000- 255 0%~ 100%	Special effect(RGB)
10	Speed of special effect	000- 255 0%~ 100%	Speed of special effect
11	Color change	000- 255 0%~ 100%	Color change
12	Background(RGB)	000- 255 0%~ 100%	Background(RGB)
13	Dimmer for CH12	000- 255 0%~ 100%	Dimmer for CH12
14	Direction	000- 255 0%~ 100%	Direction
15	Dimmer(White)	000- 255 0%~ 100%	Dimmer(White)
16	Flash intensity(White)	000- 255 0%~ 100%	Flash intensity(White)
17	Flash(White)	000- 255 0%~ 100%	Flash(White)
18	Flash effect	000- 255 0%~ 100%	Flash effect
19	Special effect(White)	000- 255 0%~ 100%	Special effect(White)
20	Speed of special effect(White)	000- 255 0%~ 100%	Speed of special effect(White)
21	Direction	000- 255 0%~ 100%	From L to R/R to L
22	Frost	000-255	Frost On/Off

21CH Mode

21CH	Function	Value	Description
1	Master dimmer	000- 255 0%~ 100%	Dimmer,0-100%
2	Color fine	000- 255 0%~ 100%	Color dimming fine
3	Yellow	000- 255 0%~ 100%	Yellow,0-100%
4	Red	000- 255 0%~ 100%	Red,0-100%
5	Green	000- 255 0%~ 100%	Green,0-100%
6	Blue	000- 255 0%~ 100%	Blue,0-100%
7	Flash(RGB)	000- 255 0%~ 100%	Flash(RGB)
8	Special effect RGB	000- 255 0%~ 100%	Special effect
9	Speed of effect	000- 255 0%~ 100%	Speed
10	Color change	000- 255 0%~ 100%	Color change
11	Background color	000- 255 0%~ 100%	RGB background color
12	Dimmer for back color	000- 255 0%~ 100%	Dimming
13	Direction of RGB	000- 255 0%~ 100%	Direction
14	White	000- 255 0%~ 100%	White
15	White strobe duration	000- 255 0%~ 100%	Strobe duration
16	Strobe	000- 255 0%~ 100%	Strobe
17	Strobe effect	000- 255 0%~ 100%	Strobe effect
18	Effect of white	000- 255 0%~ 100%	Effect
19	Speed of white effect	000- 255 0%~ 100%	Speed
20	Direction of white effect	000- 255 0%~ 100%	Direction
21	Frost	000-255	Frost On/Off

2. Technical specification

Control mode: DMX 512/Master&Slave/Auto Run/Manual

DMX Channel:7 / 18 / 21 / 22 / 256 / 269CH

Lighting source: 384pcs high brightness white leds, 384pcs RGB leds

Power:450W

Beam angle:80 degree

Color system: RGB+white mixing color

Flashing Rate:reaching at 10KHz PWM rating.

0-100% smooth linear dimming

Dimension:1000*135*145mm

Weight:6.8Kg

3. Control panel

1,Display: Shows the various menus and selected functions

2,Button:

MODE	To select the programming of functions
Enter	To go forward the selected functions
UP	To the previous functions
DOWN	To the next functions

3,Mains in: powerconn connection from main power supply

4,DMX in & out: DMX512 link

4.How to set the Unit

To select any of the given functions, press the MUSE button until the required function is showing on the display. Select the function by pressing the ENTER button again and the display will blink. Use the DOWN/UP buttons to change the mode.

Once the required mode has been selected, press the ENTER button to setup, to go back to the functions without any change press the MUSE button.

Menu			
Mode	Programming	Menu item	Description
1	Address	A001-A512	
2	Channel	7CH/18CH/21CH/22CH/256CH/269CH	
3	DMX Monitor	CH001-006/CH001-017/ CH001-020/ CH001-021/CH001-256/CH001-268	
4	Auto	Auto00	Speed (000-255)
	
		Auto36	Speed (000-255)
5	Effect on Auto	Dimmer	Value (000-255)
		Strobe	Speed (000-255)
6	Mas mode	YES/NO	
7	Manual	Dimmer	000-255
		White	000-255

DMX512 Channel: 7CH mode

7CH	Function	Value	Description
1	Strobe	000- 255 0%~ 100%	From slow to fast
2	Master dimmer	000- 255 0%~ 100%	From dark to bright
3	Red	000- 255 0%~ 100%	From dark to bright
4	Green	000- 255 0%~ 100%	From dark to bright
5	Blue	000- 255 0%~ 100%	From dark to bright
6	White	000- 255 0%~ 100%	From dark to bright
7	Frost	000-255	Frost On/Off

18CH Mode

18CH	Function	Value	Description
1	Master dimmer	000- 255 0%~ 100%	From dark to bright
2	Yellow	000- 255 0%~ 100%	From dark to bright
3	Red	000- 255 0%~ 100%	From dark to bright
4	Green	000- 255 0%~ 100%	From dark to bright
5	Blue	000- 255 0%~ 100%	From dark to bright
6	White	000- 255 0%~ 100%	From dark to bright
7	Flashing duration(W)	000- 255 0%~ 100%	From dark to bright
8	Frequency	000- 255 0%~ 100%	From slow to fast
9	Flashing effect(W)	000- 255 0%~ 100%	Effect changing
10	Flashing(RGB)	000- 255 0%~ 100%	From slow to fast
11	Running effect(W)	000- 255 0%~ 100%	Effect changing
12	Speed(W)	000- 255 0%~ 100%	From slow to fast
13	Running effect(RGB)	000- 255 0%~ 100%	Effect changing
14	Speed(RGB)	000- 255 0%~ 100%	From slow to fast
15	RGB macro	000- 255 0%~ 100%	Color changing
16	Backlight(RBG)	000- 255 0%~ 100%	backlight
17	Direction	000- 255 0%~ 100%	From R to L→From L to R
18	Frost	000-255	Frost On/Off

9.Maintenance

Following are a few common problems that may occur during operation. Here are some suggestions for easy troubleshooting:

A. The unit does not work, no light and the fan does not work

1. Check the connection of power and main fuse.
2. Measure the mains voltage on the main connector.
3. Check the power on LED.

B. Not responding to DMX controller

1. DMX LED should be on. If not, check DMX connectors and cables to see if link properly.
2. If the DMX LED is on and no response to the channel, check the address settings and DMX polarity.
3. If you have intermittent DMX signal problems, check the pins on connectors or on PCB of the unit or the previous one.
4. Try to use another DMX controller.
5. Check if the DMX cables run near or run alongside to high voltage cables that may cause damage or interference to DMX interface circuit.

C. One of the channels is not working well

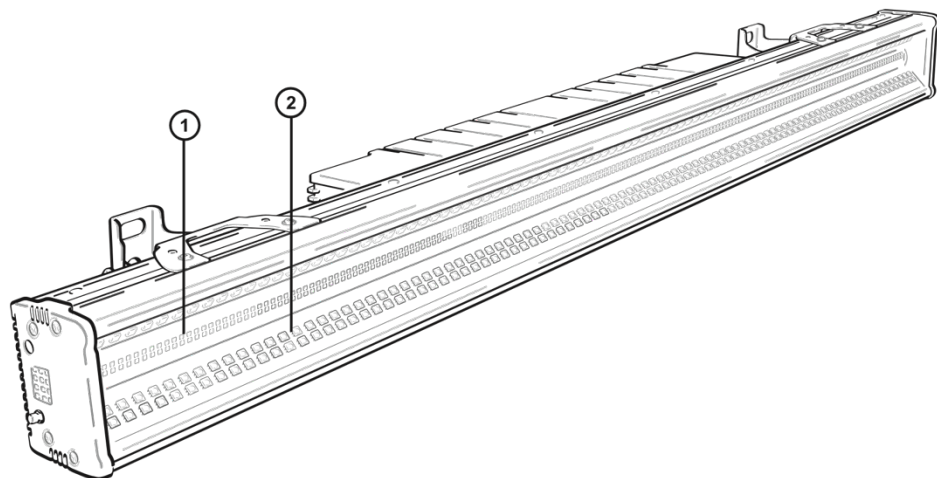
1. The stepper motor might be damaged or the cable connected to the PCB is broken.

10. Factory reset

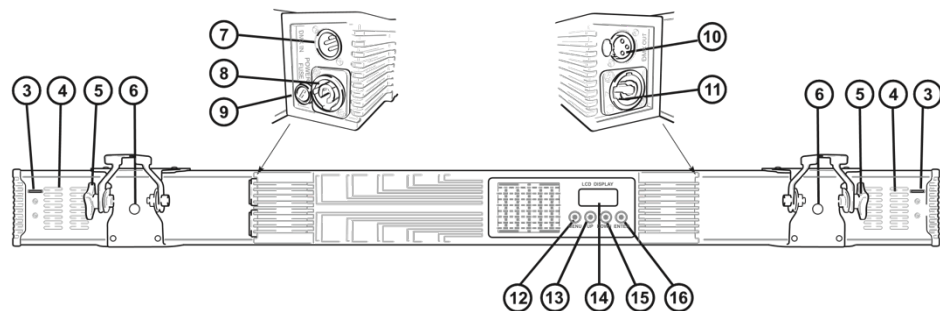
Address	001
Channel	
Curve	000
Fade Time	000

Menu			
	Programming	Menu item	Description
7	Manual	Blue	000-255
		Green	000-255
		Red	000-255
		Strobe	000-255
8	Back L	60s	
		On	
		300s	
		120s	
9	Temp	Temp	XXX°C
		Temp2	XXX°C
10	Info	Test1	
		Version	2021 06 23
		Reset	YES/NO
		Test2	
11	Dimmer Curve	Mode Curve (0-3)	
12	Fade Time	Speed	000-007

Fixture Overview



(1) LED 1W SMD 3030 CW (2) LED 0,2W SMD 5050 RGB



- | | |
|----------------------|-------------------|
| (3) Safety eyelet | (10) DMX output |
| (4) Venting slots | (11) Power output |
| (5) Fixation screw | (12) MENU |
| (6) Mounting bracket | (13) UP button |
| (7) DMX input | (14) LCD |
| (8) Power input | (15) DOWN |
| (9) Fuse | (16) ENTER |

DMX addressing

To select DMX Address, press the MODE button to show the DMX ADDRESS on the display. Use the UP/DOWN button to adjust the address from 001 to 512, press the button to setup. Press the MODE button back to the last menu or let the unit idle one minute to exit menu mode.

DMX Channel Mode

To select DMX Channel Mode, press the ENTER button to show the DMX CHANNEL MODE on the display. Use the UP/DOWN button to select different channels, and press the ENTER button to setup. Press the MODE button back to the last menu or let the unit idle one minute to exit menu mode.

DMX Functions

Enter MODE mode, select DMX Functions, press the ENTER button to confirm, use the UP/DOWN button to select DMX Address, DMX Channel Mode or View DMX Value

7. Information of Unit

Enter the MODE system information, press the button to confirm, and use the up / down button to select: usage time, led usage hours, temperature, fan status, firmware version or error information.